



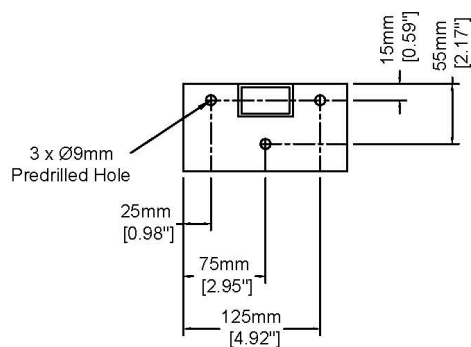
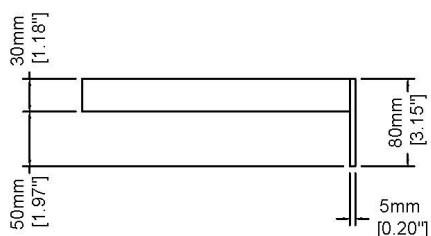
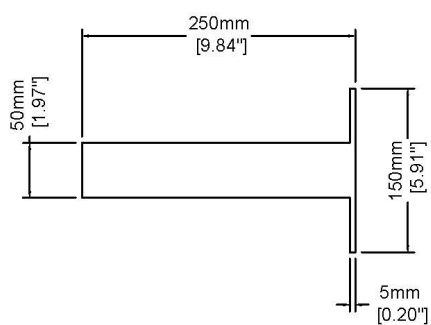
Stainless steel bracket - Wall hung basins

J89801

150 x 250 x 80 mm
5.91 x 9.84 x 3.15 inches



Description	Available Colours
Wall hung basin mounting bracket	Stainless steel



- * All measurements are subject to change and variation.
- * This specification sheet should not be used as an installation guide. Please contact Claybrook for CAD drawings.
- * Contractor to provide proper anchors suitable for fixing to wall material / type.
- * Standard screw holes Ø9 mm