



# Evolve

## Specification Sheet

### Freestanding basin H45923

620 x 470 x 850 mm  
24.41 x 18.50 x 33.46 inches

Available in various reconstituted stone colours.

Please order Chrome / MarbleForm™ pop up waste separately.



UV Resistant



Slip Resistant



Stain Resistant



Easy to Clean and Maintain

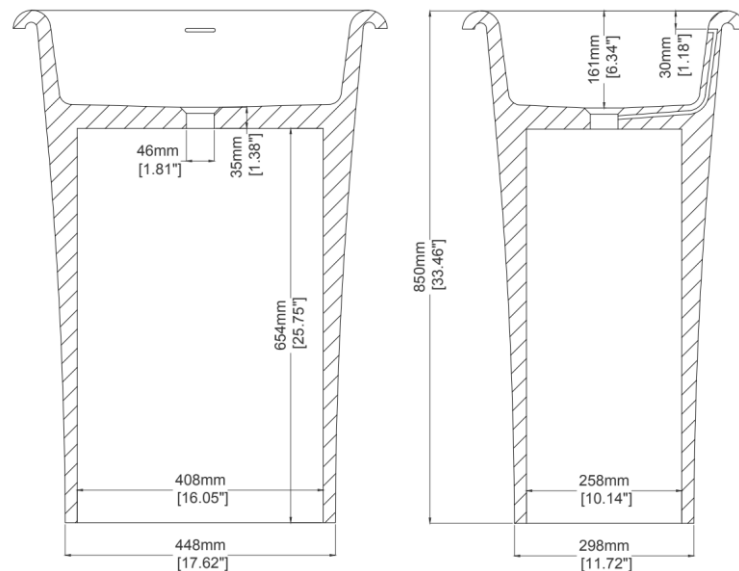


cUPC Certified

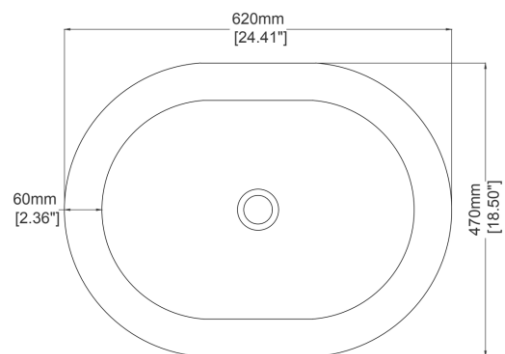


CE Certified

Description	Available Colours
Reconstituted stone basin with overflow.	This item is available in all of our MarbleForm™ colours, please refer to the colour palette online.  Our bathware items can also be ordered in select stones and marbles, please contact customer service for further details.



Technical Information	
Weight	83 kg / 183 lbs
Weight with Water	99 kg / 218 lbs
Capacity	16 L / 4.22 US gal
Water Depth to Overflow	125 mm / 4.92 inches



\* Due to the hand-finished nature of our products, minor variation in dimensions can be expected.  
\* This specification sheet should not be used as an installation guide. Please contact Claybrook for CAD drawings.